

## TC 4M 240

# Bi-Telecentric Lens for Large Detectors up to 1.2" (21.5 mm diagonal)



part number		TC 4M 240 (/C/F)
<b>Magnification</b>		0,073 +/- 3%
<b>Field Of View</b>	(mm)	
with IBIS4-6600		143,1 x 105,3
with KAI2020		161,4 x 121,0
with KAI 2093		193,6 x 108,9
with MI-MV40		224,4 x 164,8
with KAI4011/4021		206,5 x 206,5
<b>Working Distance</b>	(mm)	500,0 +/- 15
<b>Working F-number</b>		16
<b>Telecentricity</b>	(degree)	< 0,1
<b>Distortion</b>	(%)	< 0,1
<b>Field Depth</b>	(mm)	214,0
<b>CTF @50 lp/mm</b>	(%)	> 30
<b>Image side N.A.</b>		0,0310
<b>Object side N.A.</b>		0,0023
<b>Mount</b>		C or F
<b>Length</b>	(mm)	880,1
<b>External diameter</b>	(mm)	322,0
<b>Weight</b>	(g)	20400

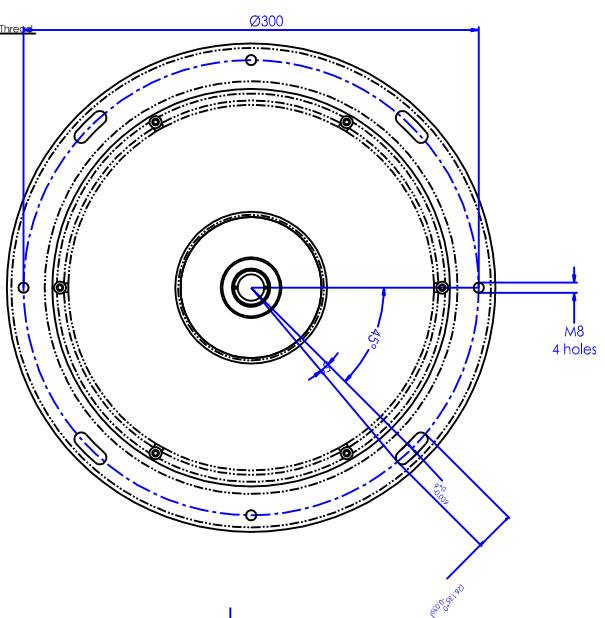
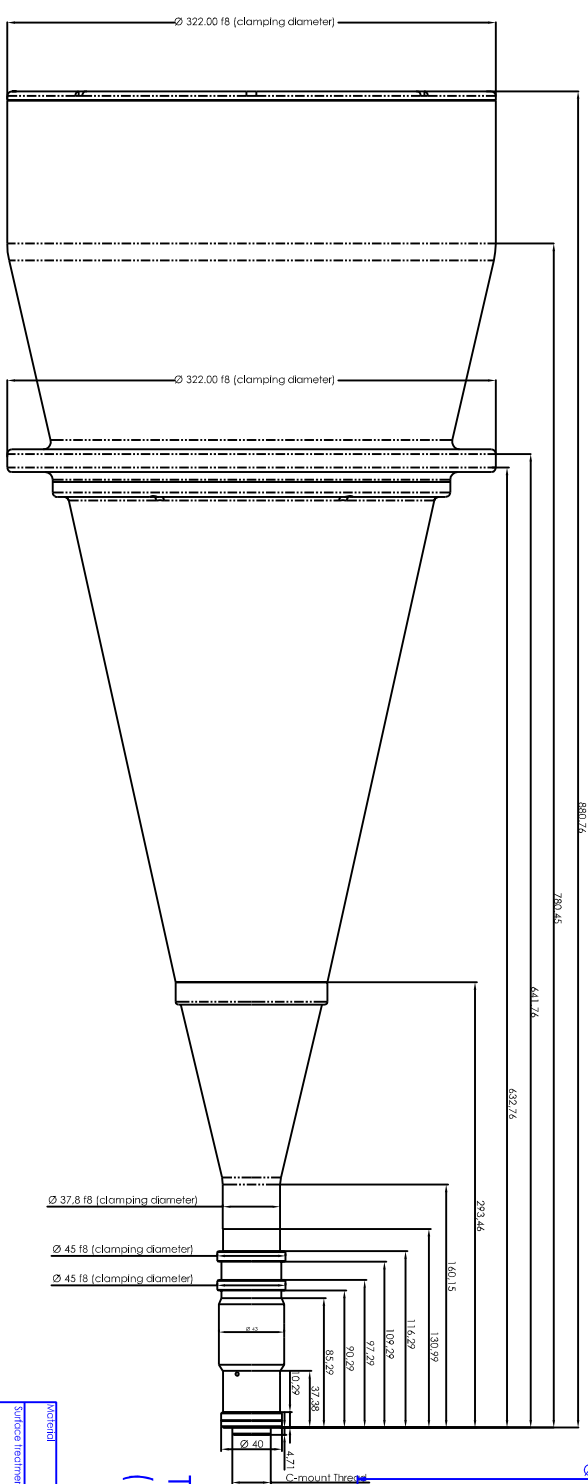
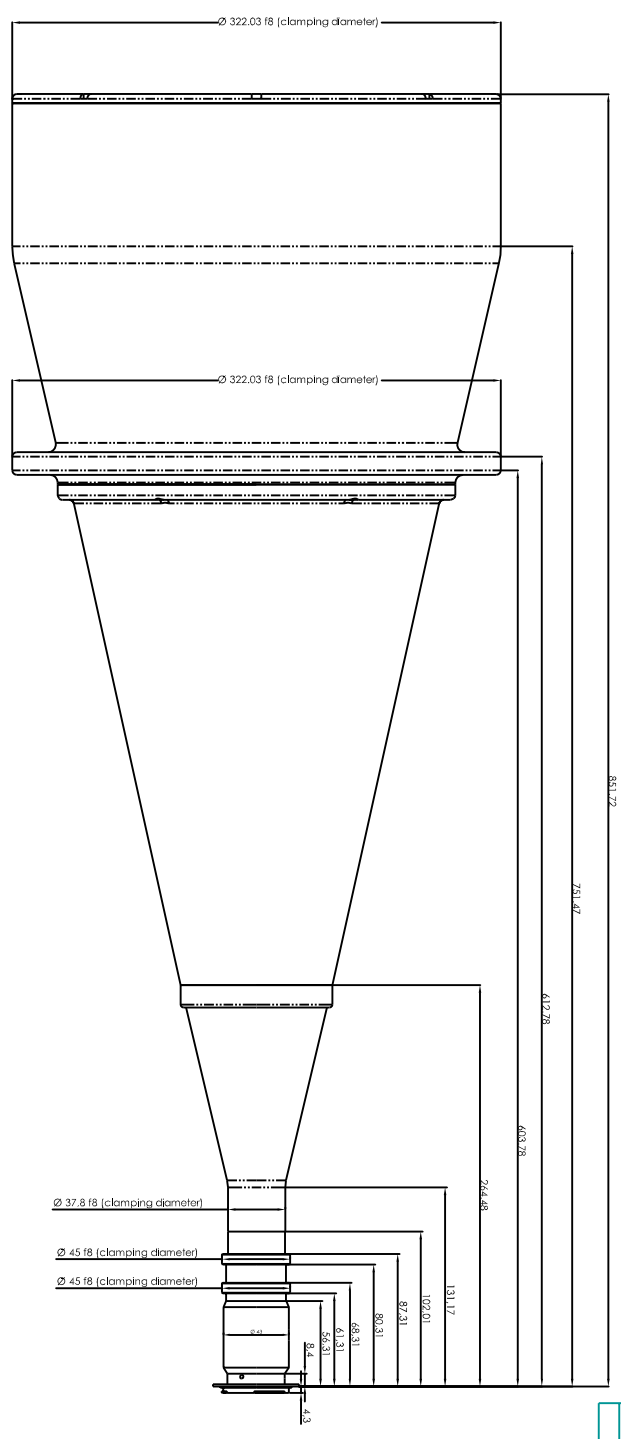
### ACCESSORIES AND OPTIONS:



#### Collimated/Telecentric illumination:

Compatible with LTCL240 illuminator;  
green light suggested.

Rev. No.	Description	Date	Name
A	First Light	10/03/06	A.Vismirca



TC 4M 240/F (F-mount)

TC 4M 240/C (C-mount)

Material	N.A.	Mass	20.4 kg	Scale	1:1
Surface treatment	N.A.	Project/Part/Item/Statement			
Commercial reference (ISO 7243)		Telecentric lens TC 4M 240			
Technical reference (ISO 7243)		Assembly			
Dimensions	mm	Dimensions	mm	Description	
±0.1	±0.1	±0.05	±0.05	1x45°	
±0.1	±0.1	±0.05	±0.05	R 0.5	

Designed	10/03/06	Name	A.Vismirca	Drawing No.	18321-0-A-TC4M240	Sheet	1/1
Drawn	10/03/06	Name	A.Vismirca	Reproduction forbidden without specific authorisation			
Checked	X	Name	C.Sedazzoli	http://www.dalmeida.com			