



TC 23 09

1x Bi-Telecentric lens for Detectors up to 2/3"



part number		TC 23 09
Magnification		1,000 +/- 3%
Field Of View	(mm x mm)	
with 1/4" (3,6 x 2,7) detector		3,6 x 2,7
with 1/3" (4,8 x 3,6) detector		4,8 x 3,6
with 1/2" (6,4 x 4,8) detector		6,4 x 4,8
with 1/1.8" (7,13 x 5,37) detector		7,1 x 5,4
with 2/3" (8,8 x 6,6) detector		8,8 x 6,6
Working Distance	(mm)	63,3 +/- 2
Working F-number		11
Telecentricity	(degree)	< 0,08
Distortion	(%)	< 0,08
Field Depth	(mm)	0,9
CTF @70 lp/mm	(%)	> 25
Image side N.A.		0,0450
Object side N.A.		0,0450
Mount		C
Length	(mm)	65,0
External diameter	(mm)	28,0
Weight	(g)	120

ACCESSORIES AND OPTIONS:



Collimated/Telecentric illumination:
Compatible with LTCL23 illuminator;
green light suggested.

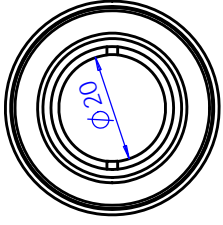
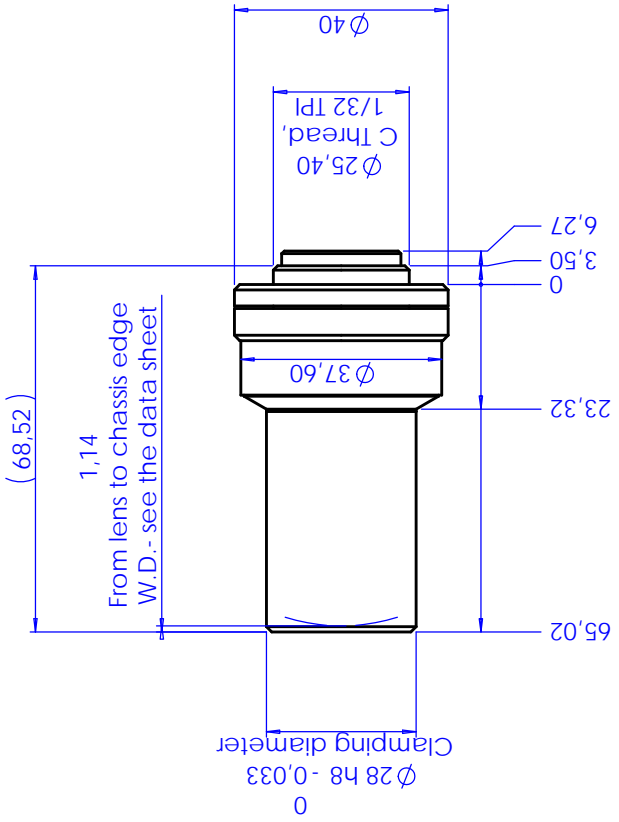



Clamping Mechanics:
Compatible with CMH023.

1 2 3 4 5 6 7 8

1 2 3 4 5 6 7 8 9 10

1 2 3 4 5 6 7 8



Material	N.A.		Mass	0.160 Kg	Scale	1:1
Surface treatment	N.A.		Project-Prod. Item/Instrument	TC 23 09		
Geometrical tolerance (ISO 2768-2)	Class	K	Description			
Linear tolerance (ISO 2768-2)	Class	m	Dimensional Drawing			
0.5	>30-	>400+	Undimensioned	1x45°		
>6+	120	+400	Undimensioned	R 0.5		
3	6	1000	Undimensioned	R 0.5		
+0.1	± 0.1	± 0.3	± 1.2	Date		
		± 0.5	± 0.8	Designed		
		± 0.3	± 1.2	Draw		
		± 0.5	± 1.2	Checked		
		± 0.3	± 1.2	Drawing No.		
		± 0.5	± 1.2	02009-0-B		
		± 0.3	± 1.2	Sheet		
		± 0.5	± 1.2	1/1		
						
OPTO ENGINEERING S.r.l. - 46100 Mantova Italy - Via Cremona, 29/2 - Tel. +39 0376 263525 - e-mail: info@opto-engineering.com - http://www.opto-engineering.com						

8 7 6 5 4 3 2 1 0 1 2 3 4 5 6 7 8 9 10 1 2 3 4 5 6 7 8