

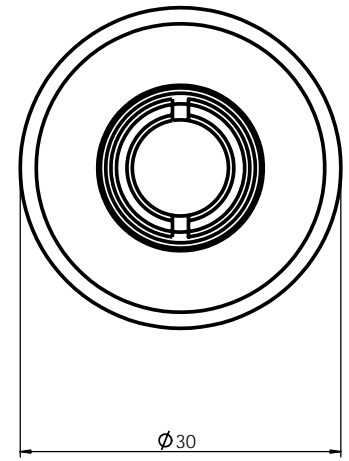
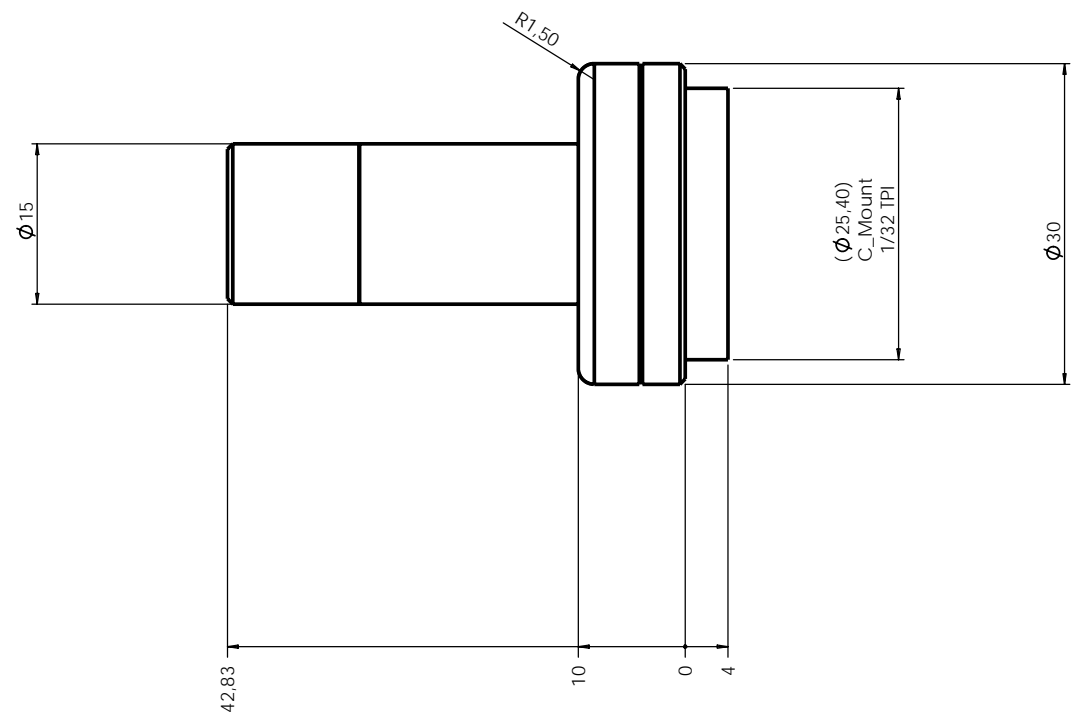
**MC0.75X**

# 0.75X Zero Distortion Macro Lens For 2/3" Detector



part number	MC0.75X	
<b>Magnification</b>		0,75
<b>Field Of View</b>	(mm x mm)	
1/4" (3,6 mm x 2,7 mm)		4,8 x 3,6
1/3" (4,8 mm x 3,6 mm)		6,4 x 4,8
1/2" (6,4 mm x 4,8 mm)		8,5 x 6,4
1/1.8" (7,0 mm x 5,3 mm)		9,4 x 7,0
2/3" (8,8 mm x 6,6 mm)		11,7 x 8,8
<b>Working Distance</b>	(mm)	58
<b>Distortion</b>	(%)	<0,02
<b>F-number</b>		9
<b>Field Depth</b>	(mm)	1,1
<b>Length</b>	(mm)	43
<b>Diameter</b>	(mm)	15,0
<b>Height</b>	(mm)	30
<b>Mount</b>		C-mount

Rev No.	Description	Date	Name
B	MC0.75X layout	20/11/09	



Material		N.A.				Mass	50 gr.	Scale	2:1
Surface treatment		N.A.				Project-Prod.Item/Instrument MC0.75X			
Geometrical tolerance (ISO 2768-2)				Class	K	Undimensioned bevels		1x45°	
Linear tolerance (ISO 2768-2)				Class	m	Undimensioned radii		R 0.5	
0.5 ±3	>3± 6	>6± 30	>30± 120	>120 ±400	>400± 1000	>1000 ±2000	>2000 ±4000	Description MC0.75X layout	
±0.1	±0.1	±0.2	±0.3	±0.5	±0.8	±1.2	±2	Drawing No.	
		Date		Name		Drawing No.		Sheet	
Designed		15/10/09				13811-3-B		1/1	
Draw		20/11/09				Reproduction forbidden without specific authorization			
Checked		X							
OPTO ENGINEERING S.r.l. - 46100 Mantova Italy - Via Cremona, 29/2 - Tel. +39 0376 263565 - e-mail: info@opto-engineering.com - http://www.opto-engineering.com									